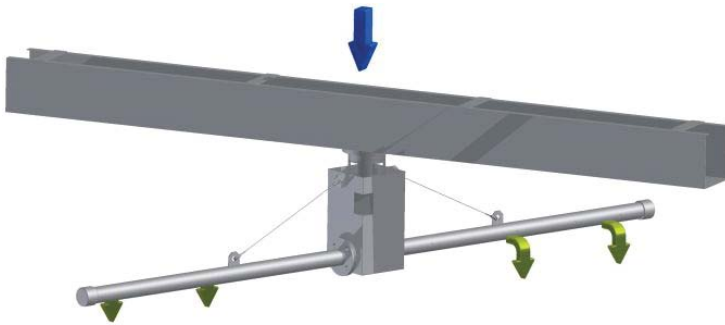


ROTARY DISTRIBUTORS FOR TRICKLING FILTERS

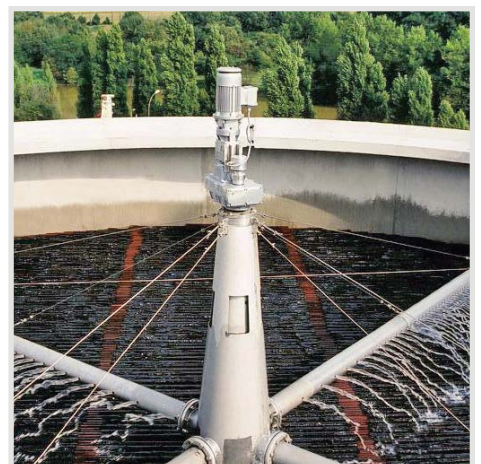


SPECIFICITIES

- Simple and robust design = long-term reliability.
- All types of flows, urban or industrial.
- Very low operating costs.
- Bearing out of water.
- Quick replacement of wear parts without rotary distributor dismounting.
- Oil chamber easy to access.
- Closing parts at the end of arms easy to remove.

OUR GUARANTEES

- 50 years of experience
- Build quality
- Optimized design
- Best price / performance ratio
- Quality service





TECHNICAL CHARACTERISTICS

Max. Flow	5 to 4 000 m ³ /h depending on model
Span	2 000 to 50 000 mm depending on model
Flow	Fixed or variable
Number of arms	2 to 8
Fastening	Flange on central post or hang-up
Supply	From the bottom, from the top or both
Speed	Adjustable
Drive	Hydrostatic pressure or motorised
Material	Stainless Steel 304L, 316L or mixed

OPERATING PRINCIPLE

Its operating principle is simple. Water led in by gravity or by pumping passes through a fixed central column, called also supply column. The effluent goes, into a rotating body that forms a pressurization chamber. It then flows through the arms attached to the body and escapes through the distribution holes. These are wisely spread to water the whole media area.

To cause rotation, the energy generated by the pressure in the water column set up in the pressurization chamber is used. This pressure is applied at the exit of distribution holes (all located on the same side of the arms) in the form of a driving reaction.

OPTIONS

Distribution arms designed in several parts, beam for support and supply for hang-up type distributor, revolution counter, etc.